

## MAKE 8' X 10' FLOATING DOCK SECTION

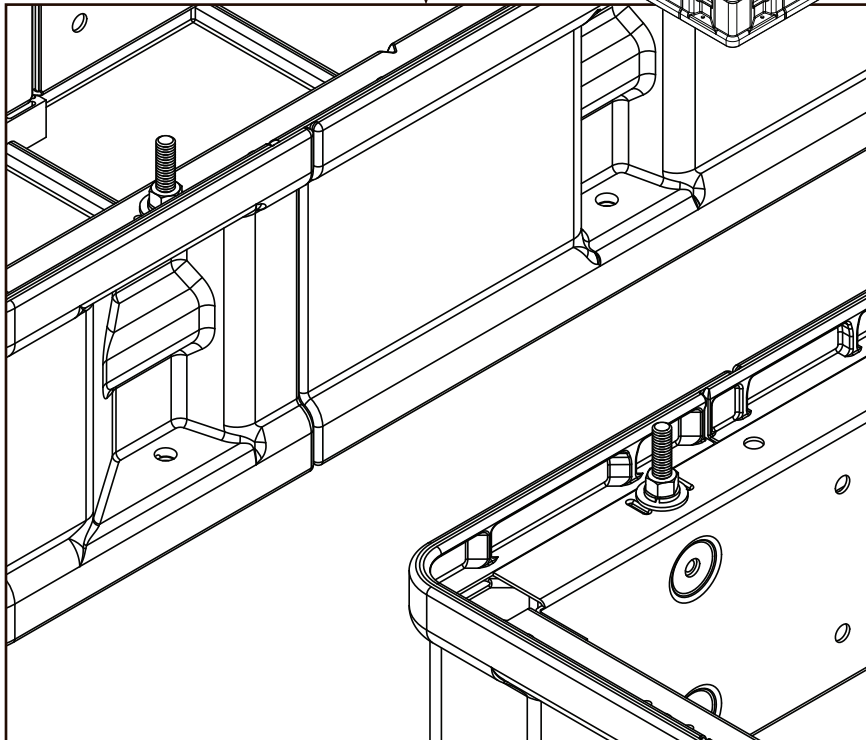
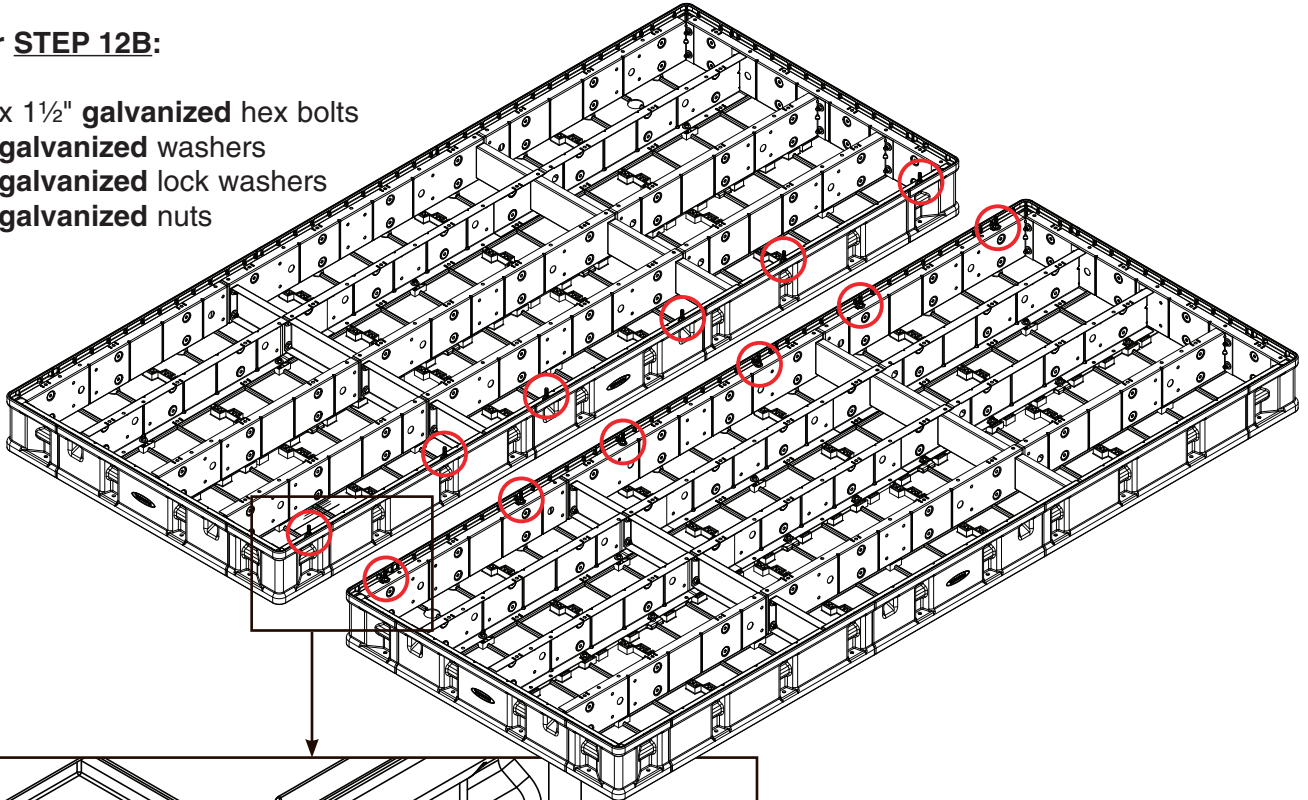
This insert contains additional steps required to attach two 4' x 10' sections together to make an 8' x 10' Premium Floating Dock Section. Complete up to **STEP 12** on Page 20 of your *Premium 4' x 10' Dock Instructions*. Then follow these instructions.

This will require additional hardware (McMaster-Carr parts or equivalent)

- (8)  $\frac{3}{8}$ " x 6" Threaded Rod (95412A646)
- (16)  $\frac{3}{8}$ " Nylon Lock Nuts (981831A127)
- (32)  $\frac{3}{8}$ " Hex Nuts (91845A031)
- (32)  $\frac{3}{8}$ " **Galvanized Washers** (98970A131)

### Items for **STEP 12B**:

- (12)  $\frac{3}{8}$ " x  $1\frac{1}{2}$ " **galvanized** hex bolts
- (24)  $\frac{3}{8}$ " **galvanized** washers
- (12)  $\frac{3}{8}$ " **galvanized** lock washers
- (24)  $\frac{3}{8}$ " **galvanized** nuts



Flip dock sections over as shown.

Install twelve  $\frac{3}{8}$ " x  $1\frac{1}{2}$ " **galvanized** hex bolts in the twelve circled locations. **See back page for details. (Fig. 1)**

Secure with  $\frac{3}{8}$ " **galvanized** lock washers and  $\frac{3}{8}$ " **galvanized** lock nuts.

This will allow you to easily attach the floats from the bottom only at a later step.

**Items for STEP 12C:**

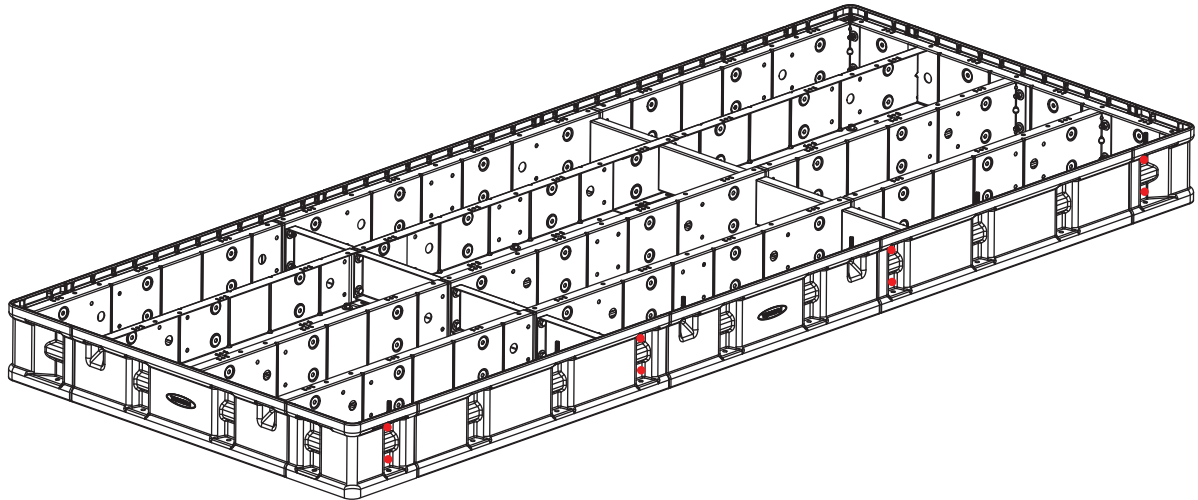
- (8)  $\frac{3}{8}$ " x 6" threaded rods
- (24)  $\frac{3}{8}$ " **galvanized** washers
- (32)  $\frac{3}{8}$ " nuts
- (8)  $\frac{3}{8}$ " nylon lock nuts

Drill eight  $\frac{3}{8}$ " holes through the resin sides at location shown.

**Note:** *You could drill from the back side using the holes in the aluminum frame as a guide. However, there is limited space and without a 90° drill it may be difficult.*

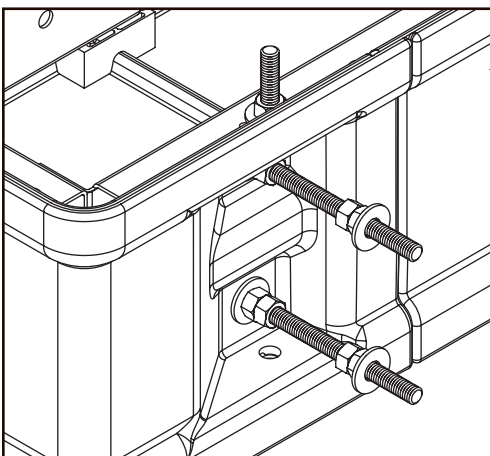
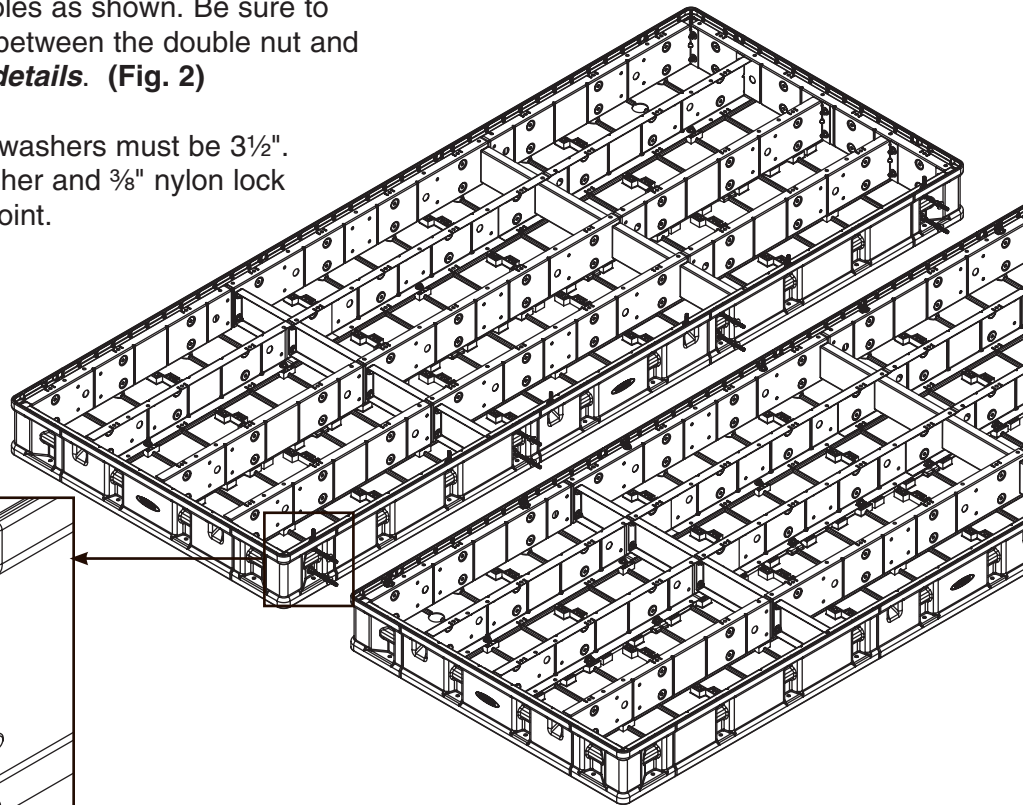
**Therefore, you can mark the resin trim on the front side in the approximate locations and drill a small pilot hole to confirm center of aluminum holes. If okay, follow up with  $\frac{3}{8}$ " hole directly in line with the holes in the aluminum frame underneath.**

Repeat drilling instructions for adjoining 4' x 10' dock section.



Position  $\frac{3}{8}$ " threaded rod into holes as shown. Be sure to place a  $\frac{3}{8}$ " **galvanized** washer between the double nut and resin side. **See back page for details. (Fig. 2)**

Space between  $\frac{3}{8}$ " **galvanized** washers must be  $3\frac{1}{2}$ ". Secure with  $\frac{3}{8}$ " **galvanized** washer and  $\frac{3}{8}$ " nylon lock nut. Finger tighten only at this point.

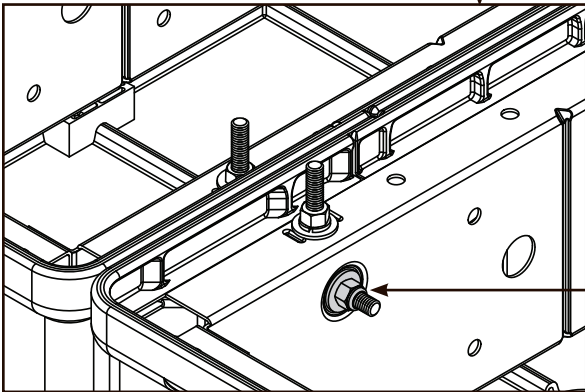
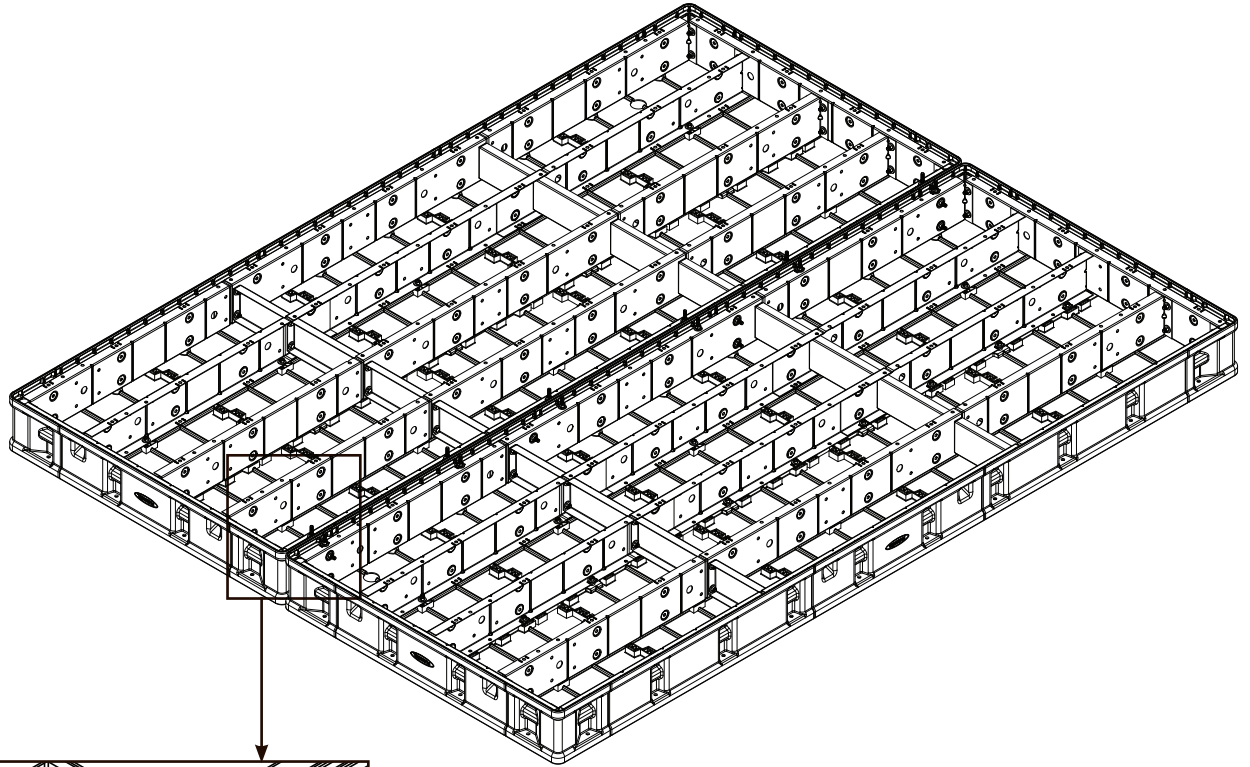


**Items for STEP 12D:**

- (8)  $\frac{3}{8}$ " **galvanized** washers
- (8)  $\frac{3}{8}$ " nylon lock nuts

Slide two dock sections together. Insert  $\frac{3}{8}$ " threaded rods into second dock. Secure with  $\frac{3}{8}$ " **galvanized** washers and  $\frac{3}{8}$ " nylon lock nuts.

Once all eight  $\frac{3}{8}$ " threaded rods are in place tighten the  $\frac{3}{8}$ " nylon lock nuts at both ends of the threaded rod.



Secure all  $\frac{3}{8}$ " nylon lock nuts at both ends of the threaded rod once all eight  $\frac{3}{8}$ " threaded rods are in place.

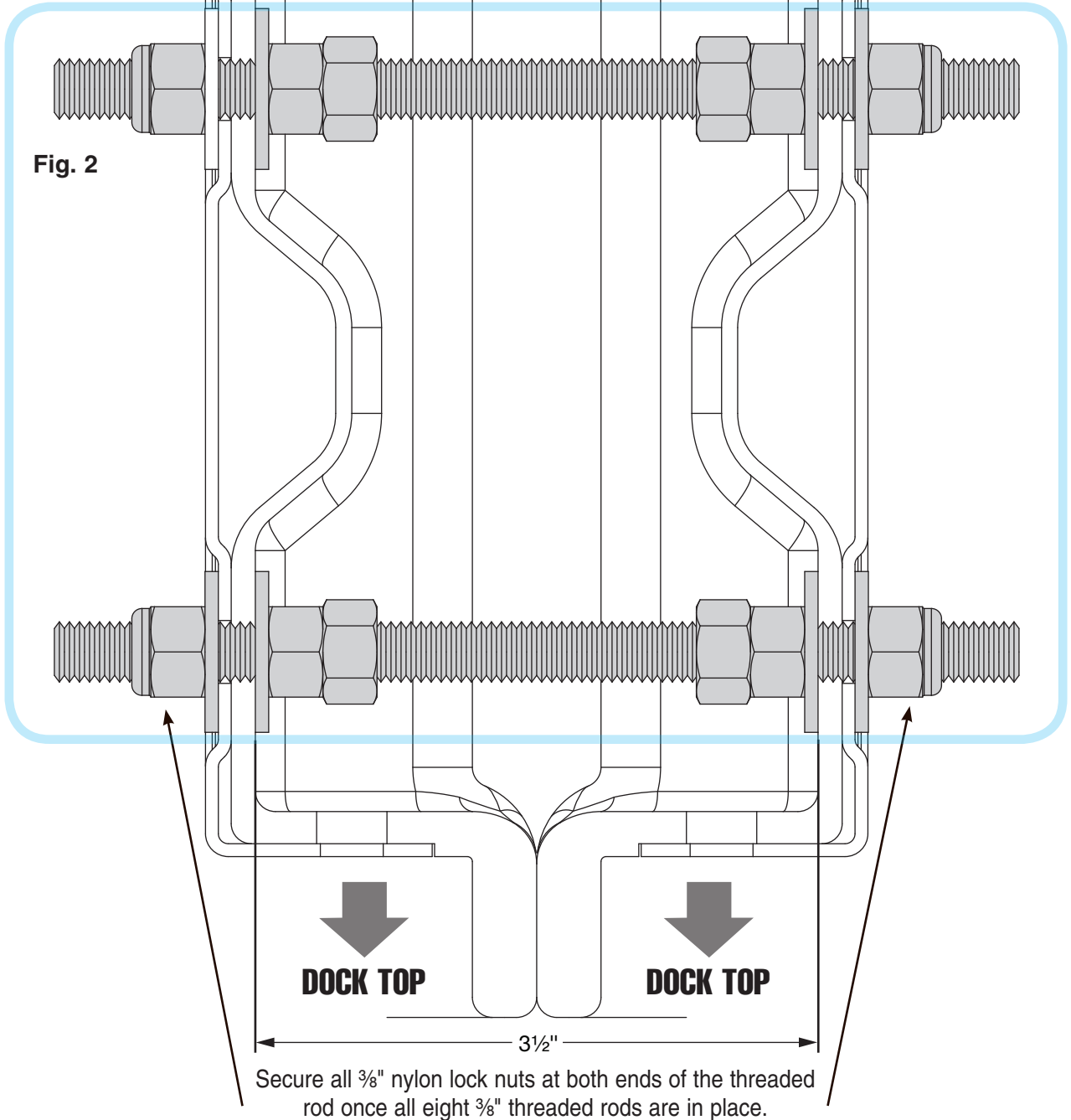
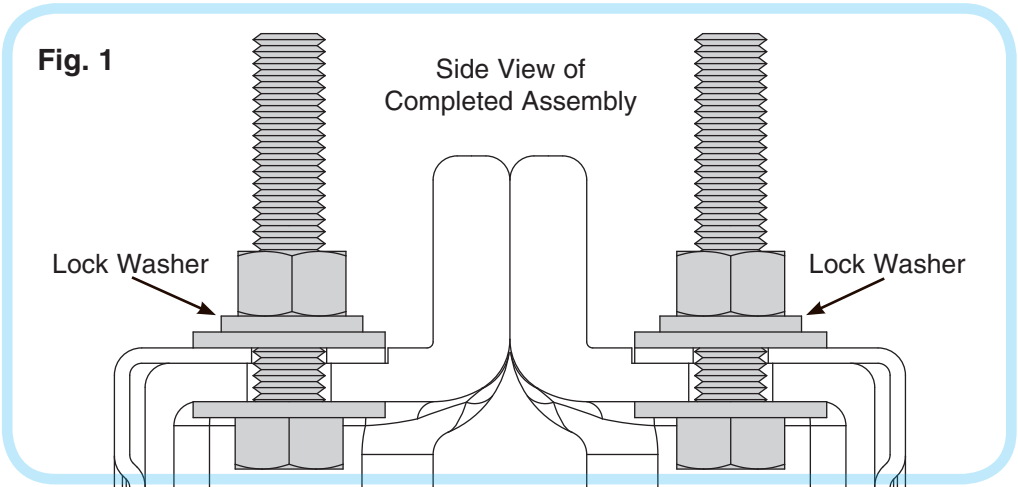
---

**Modification for STEPS 13 & 14:**

Keep Dock Sections upside down when following [Steps 13](#) and [14](#) in the *Premium 4' x 10' Dock Instruction* as you will need to be able to access the  $\frac{3}{8}$ " x  $1\frac{1}{2}$ " **galvanized** hex bolts to secure the floats where the two 4' x 10' sections are bolted together.

**Modification for STEP 14:**

Use lock washer & galvanized nuts **in place of** lock nuts for the twelve  $\frac{3}{8}$ " x  $1\frac{1}{2}$ " galvanized hex bolts.



© 2011 PlayStar, Incorporated. Janesville, WI 53547 Phone: 1-888-752-9782

Reproduction of this document in part or whole is prohibited without the permission of PlayStar, Inc.